

A real giant in the smallest possible space



* Available soon



C6→B5
#7 3/4→6 x 9



8,200 env/h



10 mm/0.4"



1 channel



37,500 sheets/h

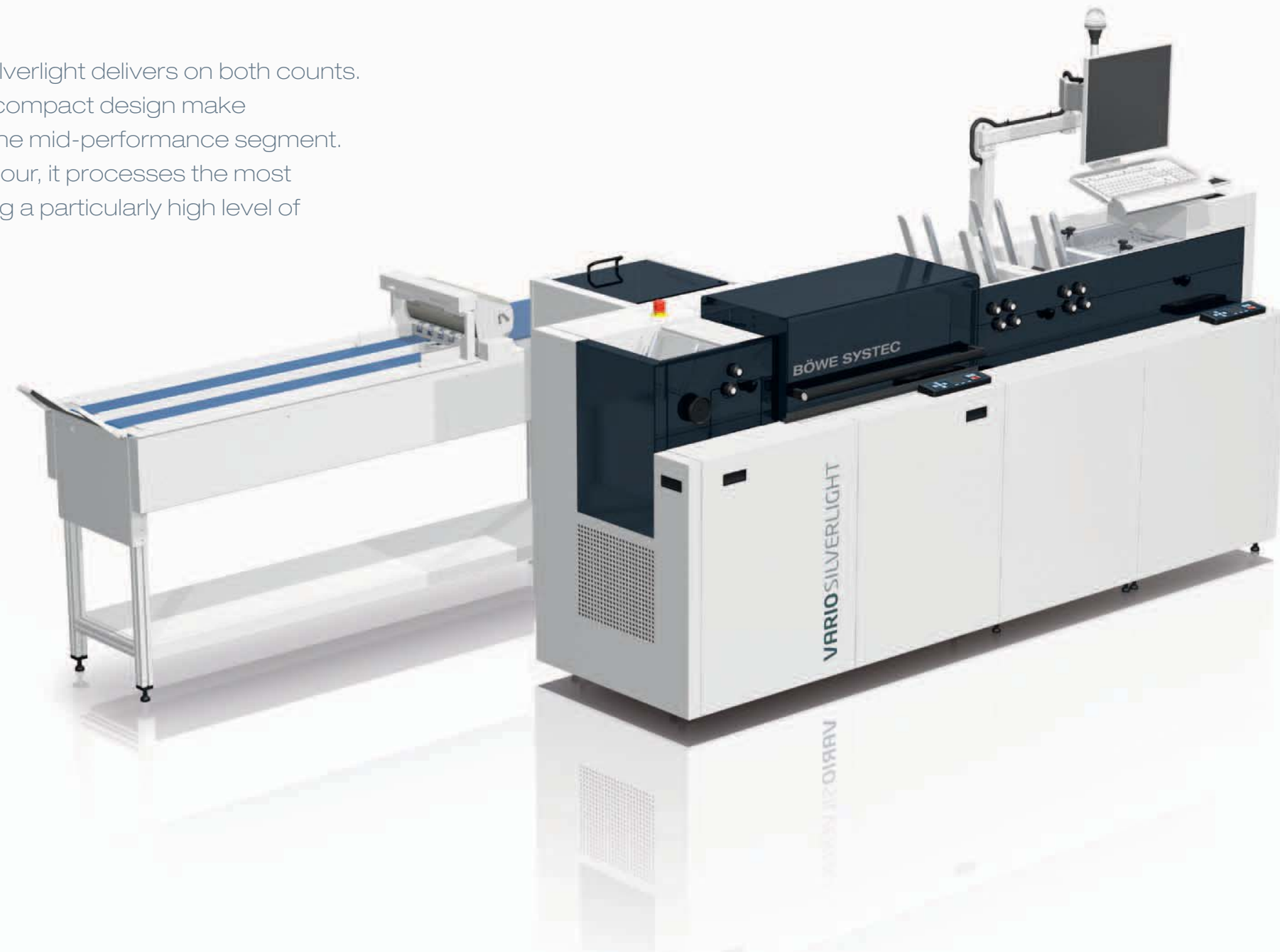


10 mm/0.4"

VARIOSILVERLIGHT

The dependable partner for mid-sized production volumes

Stable production at an unbeatable price: Vario Silverlight delivers on both counts. Four powerful standard versions with a modern, compact design make Vario Silverlight the ideal entry-level machine for the mid-performance segment. With a throughput of up to 8,200 envelopes per hour, it processes the most diverse applications securely and reliably – offering a particularly high level of flexibility in enclosure processing.



Equipped with **standard components of the proven Vario inserting system**, Vario Silverlight offers the greatest possible reliability with maximum integrity



An extremely **attractive price-performance ratio** makes Vario Silverlight a good option for smaller companies



High **flexibility** in processing different enclosures



The **highest integrity** from infeed to stacking



The standard configuration of Vario Silverlight comes with **four different infeed channel variations** that can be selected according to the application



With its **compact configuration**, Vario Silverlight also fits into locations with space constraints

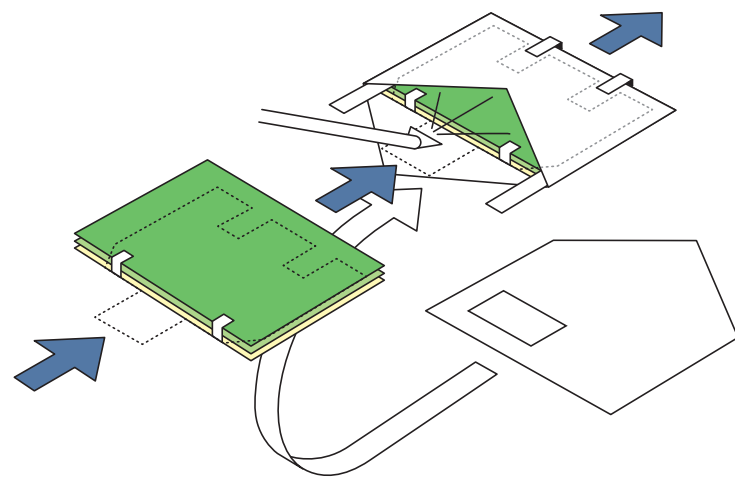
Secure processing and maximum integrity

Depending on the material, Vario Silverlight can be configured with four different infeed channels to process applications reliably and securely. With an infinitely variable speed control, Vario Silverlight processes the widest variety of materials at a throughput of up to 8,200 envelopes per hour and with a filling thickness of up to 10 mm. State-of-the-art reading technologies and continuous material tracking ensure maximum security throughout the whole inserting process.



The sophisticated processing concept of Vario Silverlight enables a secure filling of envelopes. Grippers secure the envelope during transport. While the envelope is

opened by blow air, guide elements ensure that each letter is transported securely into the designated envelope.



Maximum flexibility in enclosure processing

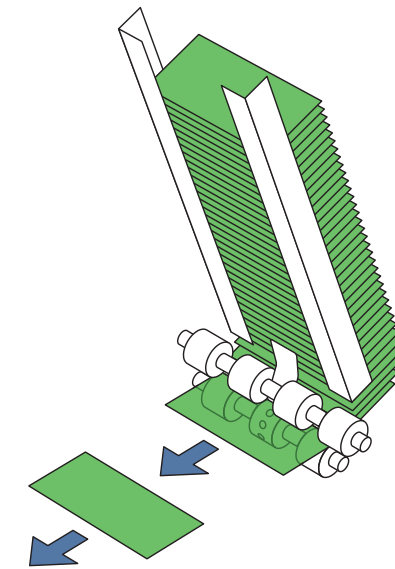
Despite its compact design, Vario Silverlight can handle a diverse range of applications. Four different enclosure feeders enable the processing of various materials with thicknesses up to 10 mm.



Whether thin, thick, rough, smooth, folded or unfolded: With the possibility to choose between suction, friction, booklet and folding feeder, Vario Silverlight has the right one for every enclosure. The new

friction feeder, for example, opens up completely new possibilities: Even difficult enclosures such as Z folded or air permeable material can easily be processed. The friction feeder is easy to maintain and

has a high stacking capacity of up to 590 mm. This makes it extremely user-friendly and boosts production efficiency.



Powerful standard versions for high demands

Depending on the application, Vario Silverlight is available with four different infeed channels. In addition, the standard configuration of this inserting system comes with two enclosure feeders, a diverting module, the Vario series inserting module as well as the corresponding envelope feeding and stacking components.



Configuration I:

Documents from the infeed channel

- › Cut-sheet processing
- › 1-up
- › Up to 10,000 sheets/h
- › Width: 125 mm - 230 mm
- › Height: 3.15" - 12.52"
- › Paper weight: 70 - 180 g/m²
- › Optional: Riso printer can be integrated online

Configuration II:

Documents from the infeed channel

- › Cut-sheet processing
- › 1-up
- › Up to 28,000 sheets/h
- › Width: 165 mm - 230 mm
- › Height: 8" - 14"
- › Paper weight: 70 - 120 g/m²

Configuration III:

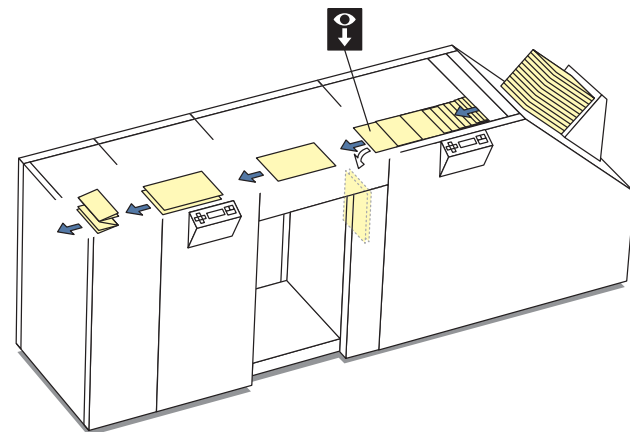
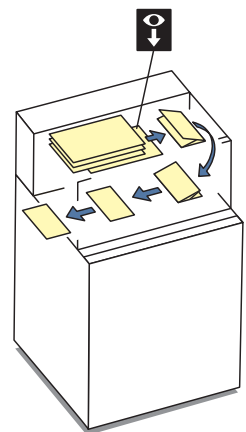
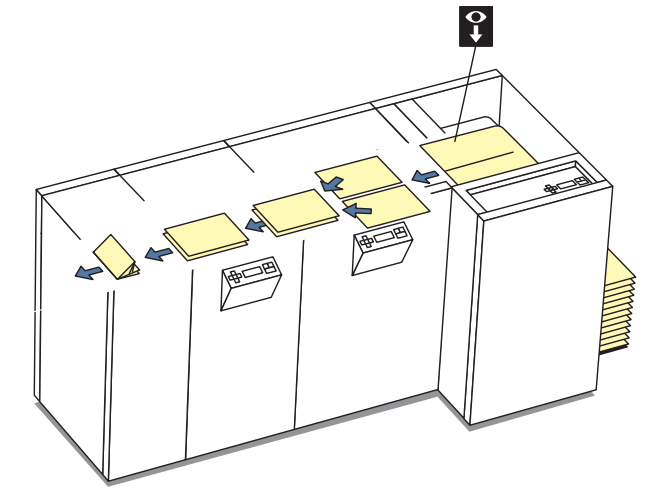
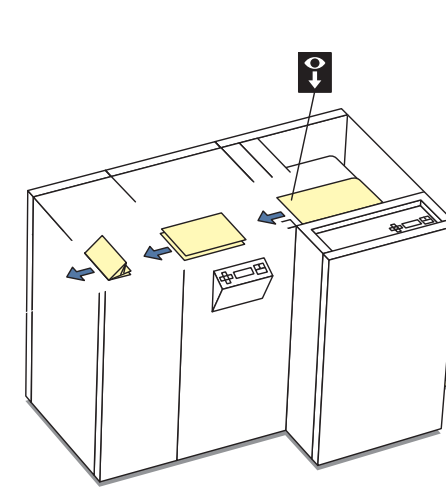
Documents from the infeed channel

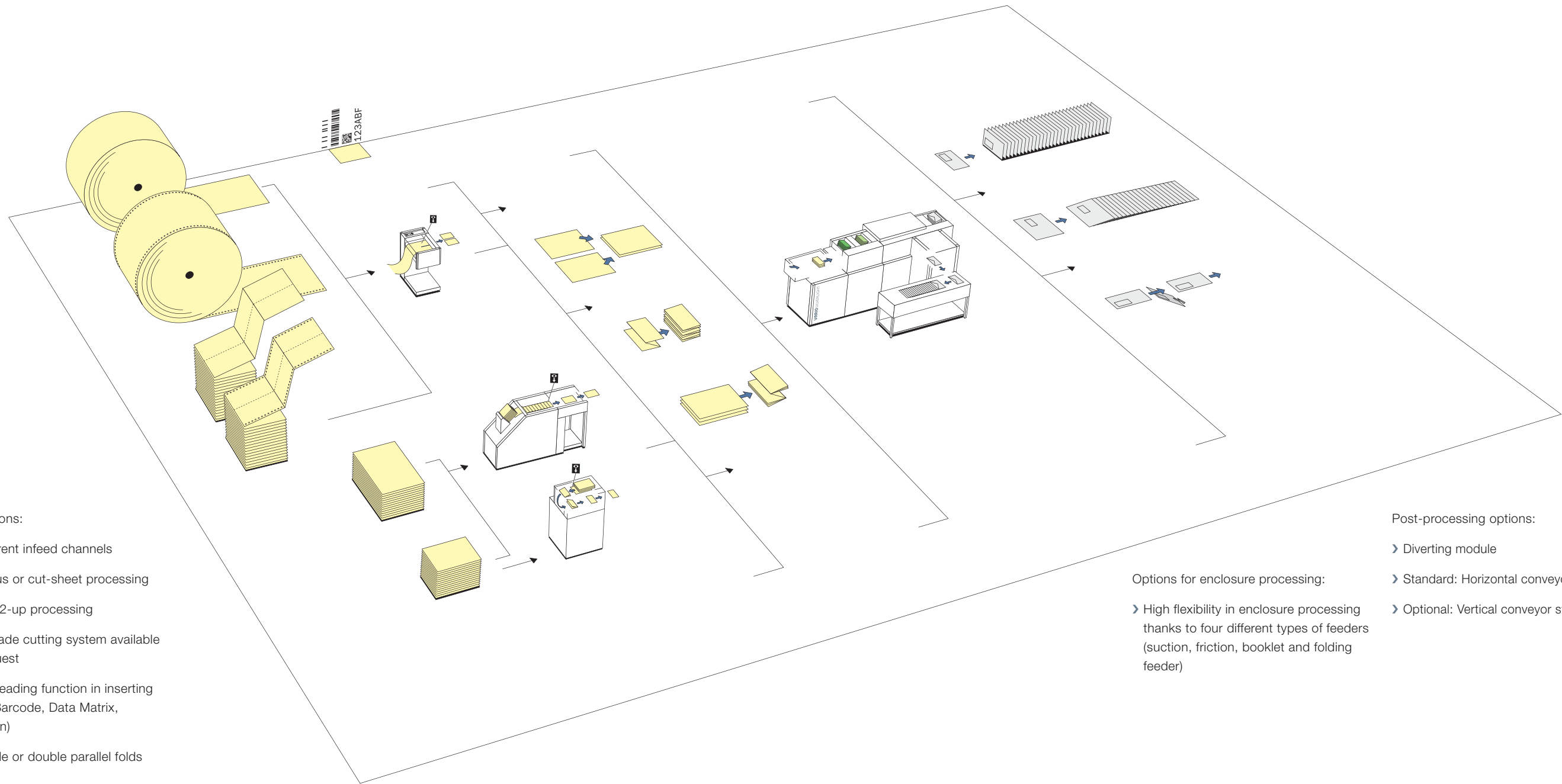
- › Continuous forms
- › Pinfeed
- › 1-up
- › Up to 19,000 sheets/h
- › Width net: 165 mm - 230 mm
- › Height net: 8" - 14"
- › Paper weight: 60 - 120 g/m²

Configuration IV:

Documents from the infeed channel

- › Continuous forms
- › Pinfeed
- › 2-up
- › Up to 37,500 sheets/h
- › Width net: 165 mm - 216 mm (per column - 2-up)
- › Height net: 8" - 12"/14" optional
- › Paper weight: 70 - 120 g/m²





Input variations:

- › Four different infeed channels
- › Continuous or cut-sheet processing
- › 1-up and 2-up processing
- › Double blade cutting system available upon request
- › Optional reading function in inserting module (Barcode, Data Matrix, Vektor lean)
- › Z, C, single or double parallel folds possible
- › Configuration I: Assembling after folding (Upgrade package for assembling before folding available upon request)
- › Configuration II - IV: Assembling before and/or after folding

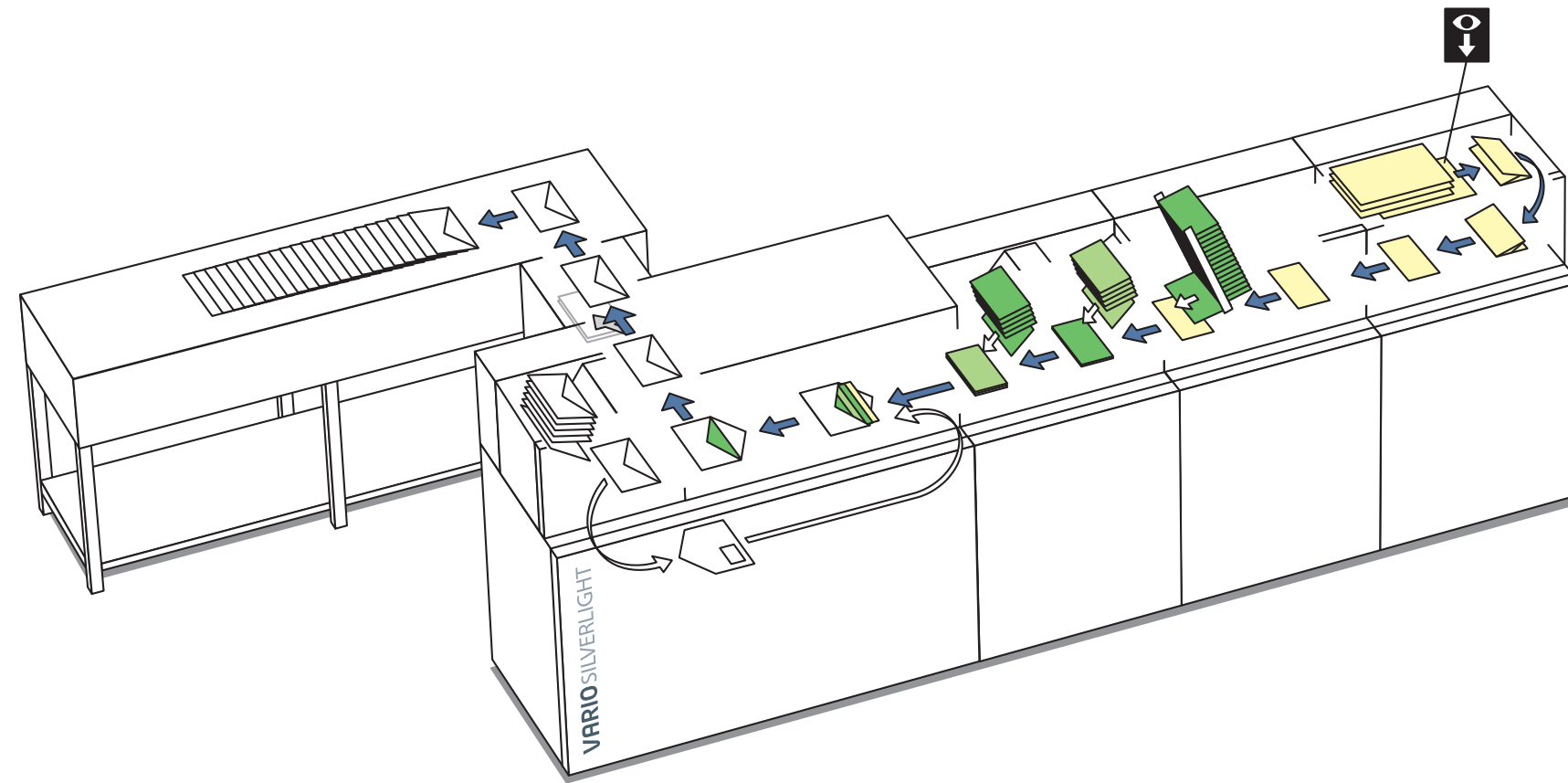
Options for enclosure processing:

- › High flexibility in enclosure processing thanks to four different types of feeders (suction, friction, booklet and folding feeder)

Post-processing options:

- › Diverting module
- › Standard: Horizontal conveyor stacker
- › Optional: Vertical conveyor stacker

Technical Data



Max. performance

C6, B6, B6+, DL, C6/5, C5, B5 #7 3/4, #10, 6 x 9	8,200 env/h
---	-------------

Enclosures

Max. number	12 feeders	Height	80 mm - 162 mm
Width	100 mm - 230 mm	Paper weight	60 - 180 g/m ²
Thickness	up to 10 mm		

Envelopes

Width	140 mm - 250 mm	Feeder capacity	approx. 300 env.
Height	90 mm - 180 mm	Paper weight	65 - 110 g/m ²

Max. inserting package

Height	up to 10 mm
--------	-------------